



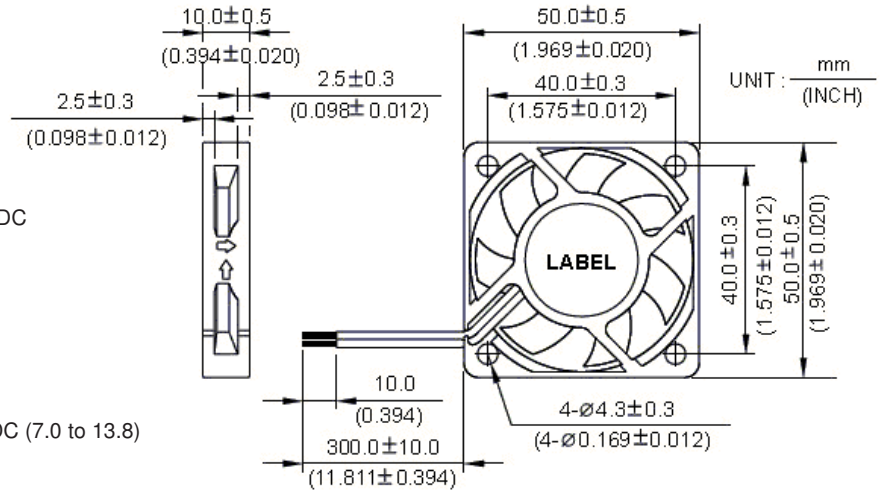
**U.S. TOYO
FAN CORP.**

USTF5010 Series

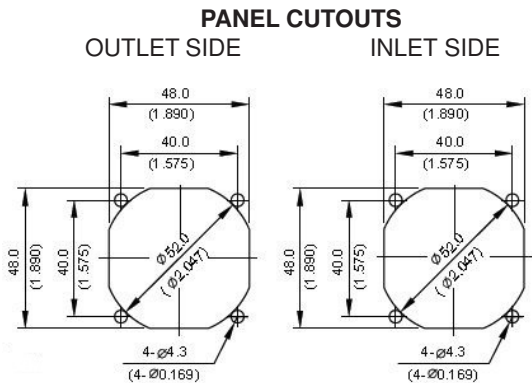
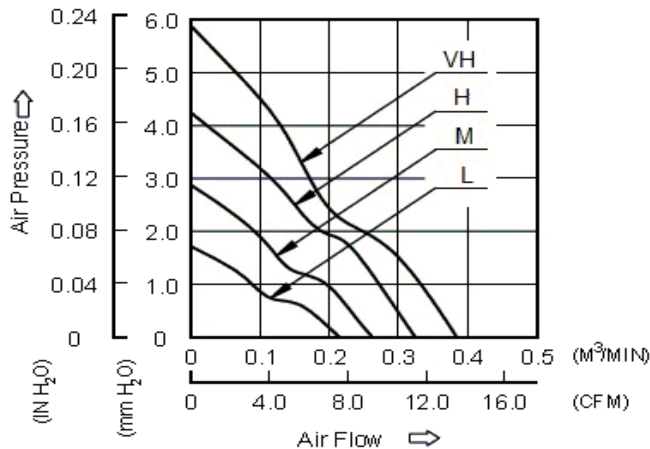
DC Brushless Fans

16025 Arrow Hwy., Suite F, Irwindale, CA 91706 www.ustoyofan.com Email: sales@ustoyofan.com Tel (626) 338-1111 Fax (626) 338-1119

- MATERIAL:** Frame - Black PBT (UL 94V-0)
Bearings - Ball
Impeller - Black PBT (UL 94V-0)
- WEIGHT:** 0.9 oz. (25g)
- TERMINATION:** Lead Wires (UL Approved, AWG28)
- OPERATION TEMPERATURE:** -10° to +70° C
- INSULATION RESISTANCE:** 10 megohms min @ 500 VDC
- DIELECTRIC STRENGTH:** 500 VAC for 1 min.
- INSULATION:** Class A
- SAFETY:** Impedance & Polarity Protected
- SAFETY APPROVALS:** UL and CE
- OPERATING VOLTAGE:** 5 VDC (4.5 TO 5.5) - 12 VDC (7.0 to 13.8)



PERFORMANCE CURVES: (Obtained with test chamber and methods in accordance with AMCA Std. 210-74)



SPECIFICATIONS: (All values are typical)

*Amps values shown are typical running. Fan labels show higher max values

PART NUMBER	VOLTS	WATTS	AMPS*	RPM	NOISE dB (A) @ 1M	CFM
USTF501005HW	5VDC	1.00	0.20	5500	30.0	11.40
USTF501005MW	5VDC	0.65	0.13	4500	25.0	9.21
USTF501005LW	5VDC	0.35	0.07	3500	18.0	7.50
USTF501012VHW	12VDC	1.80	0.15	6500	35.0	13.57
USTF501012HW	12VDC	1.20	0.10	5500	30.0	11.40
USTF501012MW	12VDC	0.96	0.08	4500	25.0	9.21
USTF501012LW	12VDC	0.60	0.05	3500	18.0	7.50

MODELS AVAILABLE ON REQUEST:

Failure Detector - rotation sensing - Add Suffix "SR" to part number
Speed Controller - tach output - Add Suffix "SF" to part number