



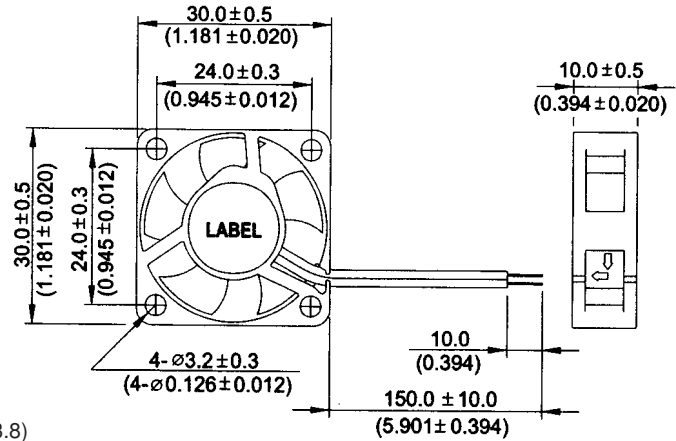
**USTF3010 Series**

**Size:** 1.182 in sq. x 0.39 in. thk  
(30mm sq. x 10mm thk.)

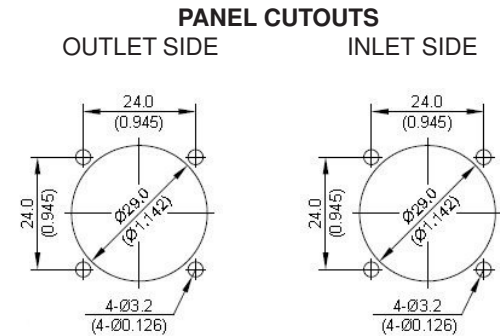
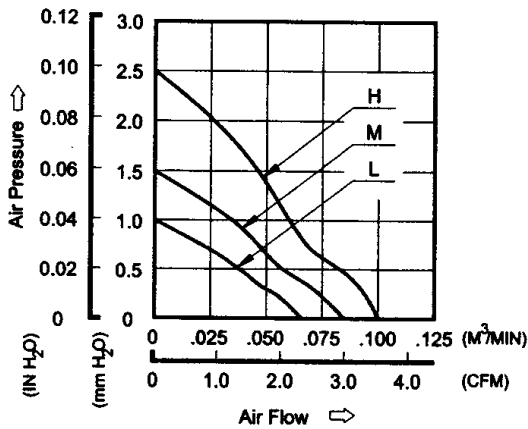
**Airflow:** 2.3 - 3.5 CFM

**Acoustical Noise:** 17.5 - 25.0 dB (A)

- MATERIAL:** Frame - Black PBT (UL 94V-0)  
Bearings - Ball  
Impeller - Black PBT (UL 94V-0)
- WEIGHT:** 0.37 oz. (10.5g)
- TERMINATION:** Lead Wires (UL Approved, AWG26)
- OPERATION TEMPERATURE:** -10° to +70° C
- INSULATION RESISTANCE:** 10 megohms min @ 500 VDC
- DIELECTRIC STRENGTH:** 500 VAC for 1 min.
- INSULATION:** Class A
- SAFETY:** Impedance & Polarity Protected
- SAFETY APPROVALS:** UL, CSA & CE
- OPERATING VOLTAGE:** 5 VCD (4.0 TO 5.5) - 12 VDC (9.5 to 13.8)



**PERFORMANCE CURVES:** (Obtained with test chamber and methods in accordance with AMCA Std. 210-74)



**SPECIFICATIONS:** (All values are typical)

\*Amps values shown are typical running. Fan labels show higher max values

PART NUMBER	VOLTS	WATTS	AMPS*	RPM	NOISE dB (A) @ 1M	CFM
USTF301005LW	5VDC	0.35	0.07	6000	17.5	2.37
USTF301005MW	5VDC	0.55	0.11	7500	20.0	3.00
USTF301005HW	5VDC	0.80	0.16	9000	25.0	3.53
USTF301012LW	12VDC	0.60	0.05	6000	17.5	2.37
USTF301012MW	12VDC	0.84	0.07	7500	20.0	3.00
USTF301012HW	12VDC	1.08	0.09	9000	25.0	3.53

MODELS AVAILABLE ON REQUEST:

Failure Detector - rotation sensing - Add Suffix "SR" to part number  
Speed Controller - tach output - Add Suffix "SF" to part number