



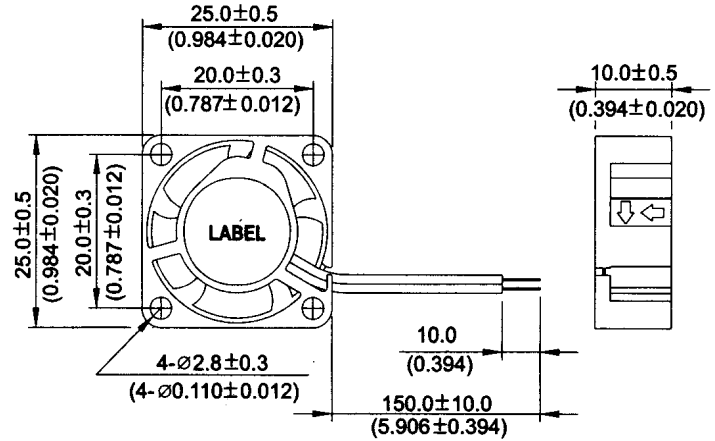
USTF2510 Series

Size: 0.985 in sq. x 0.40 in. thk
(25mm sq. x 10mm thk.)

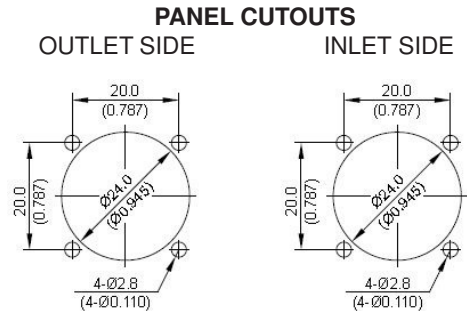
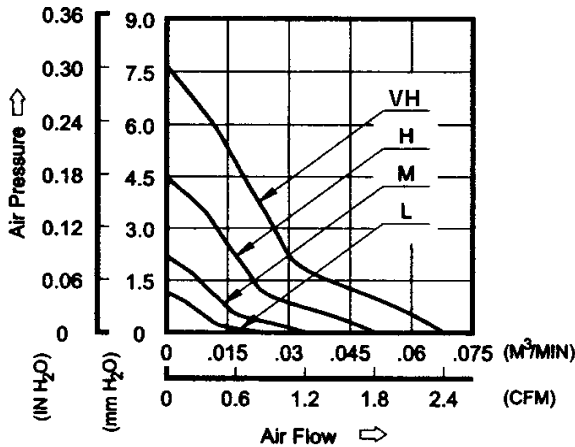
Airflow: 1.20 - 2.40 CFM

Acoustical Noise: 20 - 28 dB (A)

- MATERIAL:** Frame - Black PBT (UL 94V-0)
Bearings - Ball
Impeller - Black PBT (UL 94V-0)
- WEIGHT:** 0.37 oz. (10.5g)
- TERMINATION:** Lead Wires 26 ga UL 1061 or equiv.
- OPERATION TEMPERATURE:** -10° to +70° C
- INSULATION RESISTANCE:** 10 megohms min @ 500 VDC
- DIELECTRIC STRENGTH:** 500 VAC for 1 min.
- INSULATION:** Class A
- SAFETY:** Impedance & Polarity Protected
- SAFETY APPROVALS:** UL, CSA & CE
- OPERATING VOLTAGE:** 5 VCD (4.5 TO 5.5) - 12 VDC (7.0 to 13.2)



PERFORMANCE CURVES: (Obtained with test chamber and methods in accordance with AMCA Std. 210-74)



SPECIFICATIONS: (All values are typical)

*Amps values shown are typical running. Fan labels show higher max values

PART NUMBER	VOLTS	WATTS	AMPS*	RPM	NOISE dB (A) @ 1M	CFM
USTF251005LW	5VDC	0.20	0.04	5000	18.0	0.85
USTF251005MW	5VDC	0.30	0.06	7000	20.0	1.20
USTF251005HW	5VDC	0.60	0.12	10000	23.5	1.85
USTF251005VHW	5VDC	0.80	0.16	13000	28.0	2.40
USTF251012MW	12VDC	0.48	0.04	7000	20.0	1.20
USTF251012HW	12VDC	0.72	0.06	10000	23.5	1.85
USTF251012VHW	12VDC	0.96	0.08	13000	28.0	2.40

MODELS AVAILABLE ON REQUEST:

Failure Detector - rotation sensing - Add Suffix "SR" to part number
Speed Controller - tach output - Add Suffix "SF" to part number