



TAC12038 Series

Size: 4.69 in sq. x 1.5 in. thk
(119mm sq. x 38mm thk.)

Airflow: 52 - 105 CFM

Acoustical Noise: 34 - 47 dB (A)

MATERIAL: Frame - Aluminum Alloy, Painted Black Finish
Bearings - Sealed Ball
Impeller - UL94V-0 Plastic

WEIGHT: 20 oz. (550g)

TERMINATION: Terminals standard (Lead Wires on request)

OPERATION TEMPERATURE: -20° to +80° C

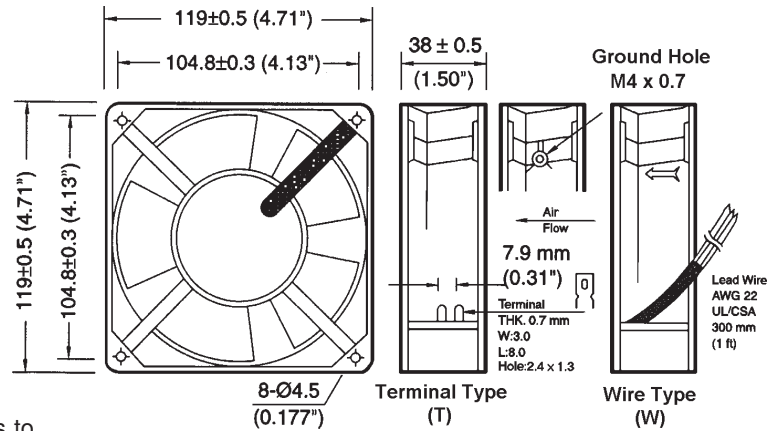
INSULATION RESISTANCE: 10 Megohms min. @ 500 VDC

DIELECTRIC STRENGTH: 1,500 VAC for 1 min.

INSULATION: Class B

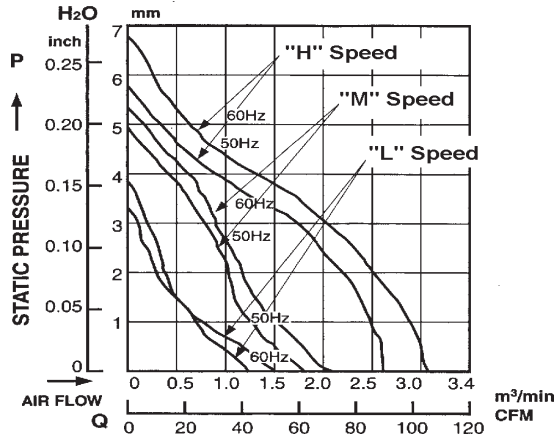
SAFETY: Impedance Protected

SAFETY APPROVALS: UL 106227 & CSA LR702499 (Applies to single voltage models only)
CE (Applies to 230V models only)

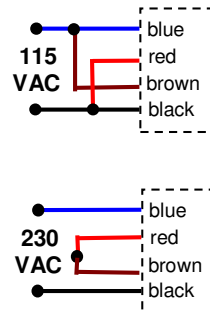


PERFORMANCE CURVES:

(Obtained with test chamber and methods in accordance with AMCA Std. 210-74)



**DUAL VOLTAGE MODEL
WIRING SCHEMATIC**



SPECIFICATIONS: (Based on 60 Hz Frequency)

PART NUMBER	VOLTS	WATTS	mAMPS	RPM	NOISE dB (A) @ 1M	CFM
TAC12038115HT	115	17.0	180	3000	47	105
TAC12038115MT	115	10.0	120	2500	39	71
TAC12038115LT	115	8.0	100	2000	34	52
TAC12038230HT	230	17.0	110	3000	47	105
TAC12038230MT	230	10.0	90	2500	39	71
TAC12038230LT	230	8.0	60	2000	34	52
TAC12038345HW	115/230	17.0	180/110	3000	47	105

NOTE: Standard models with Terminals. Lead Wires available on request.
Dual voltage model with lead wires only.